



# Ellipz High Bay Lights

HB1 Spectral Enhanced Series



# High Bay Lights

HB1 Spectral Enhanced Series

60W



120W



## Max Gain in Efficiency

10,300 Photopic Lumen(120W)  
5,100 Photopic Lumen(60W)  
S/P Ratio up to 2.2

## Excellent Colors

CRI >92

## Weatherproof

IP66

## Lightweight and Compact

5.2 kg (60W)  
8.7 kg (120W)

## Environmentally Friendly

No mercury and lead-free

## Applications

Warehouse/Retail/  
Commercial/Assembly/  
Manufacturing/Industrial/  
Hangar

Ellipz LED High Bay Light HB1 Spectral Enhanced Series is designed for use in factories, warehouses, industrial, commercial and retail applications. It is the perfect replacement for traditional HID high bay lights up to 400W. Due to its unique heatsink design utilizing our convection cooling method, Ellipz High Bay Light is compact and only weighs up to 8.7kg.

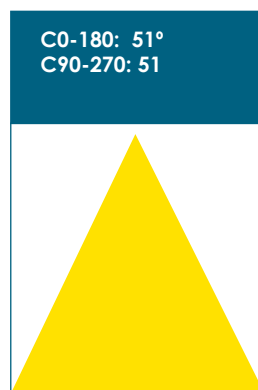
Ellipz High Bay Light HB1 series has one of the best CRI's of 92. Coupled with an S/P ratio of up to 2.2, our high bay lights provide high light output with less energy, capable of achieving energy savings of up to 70% over traditional high bay lamps.

## Product Specification:

HB1 Spectral Enhanced Series		Product	HB1 4000K 60W	HB1 5000K 60W	HB1 4000K 120W	HB1 5000K 120W
		Product Code	7840AC	7820AC	7740AC	7720AC
Electrical Specs	Rated Voltage (V/AC)		110/230/277	110/230/277	110/230/277	110/230/277
	Operating Voltage (V/AC)		90 - 305	90 - 305	90 - 305	90 - 305
	Rated Current (A)		0.59/0.29/0.24	0.59/0.29/0.24	1.20/0.59/0.49	1.20/0.59/0.49
	Rated Lamp Power (W)		60	60	120	120
	System Power, nominal (W)		64	64	129	129
	Frequency (Hz)		50/60	50/60	50/60	50/60
	Power Factor		0.99/0.98/0.97	0.99/0.98/0.97	0.98/0.95/0.95	0.98/0.95/0.95
Optical Specs	CCT (K)		4000	5000	4000	5000
	Lumen output (Lm)		4800	5100	9600	10300
	Color rendering index (CRI)		92	92	92	92
	Photopic Efficacy (Lm/W)		75.0	80.0	75.0	80.0
	Beam Angle (°)		36	36	55	55
	Dimmable		NO	NO	NO	NO
	S/P Ratio		2.0	2.2	2.0	2.2
	EVE (pupil lumen)*		8,350	9,580	16,700	19,350
	Others	Operating temperature(°C)		-40°C~+45°C	-40°C~+45°C	-40°C~+45°C
Storage temperature(°C)			-40°C~+80°C	-40°C~+80°C	-40°C~+80°C	-40°C~+80°C
Operating Humidity (%)			20~95%RH	20~95%RH	20~95%RH	20~95%RH
Life span (h) L85B15			40,000	40,000	40,000	40,000
Diameter (mm)			400	400	665	665
Height (mm)			395	395	505	505
Weight (Kg)			5.2	5.2	8.7	8.7

## Isolux Table (120W)

m.	Ø 50%	
	C0-180	C90-270
1	0.96	0.96
1.5	1.44	1.44
2	1.92	1.92
3	2.88	2.88
4	3.84	3.84
6	5.76	5.76
8	7.68	7.68

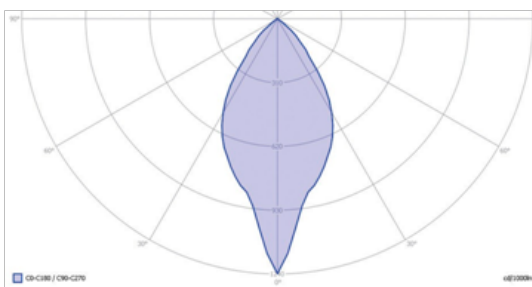


E (lux)
10433
4637
2608
1159
652
290
163

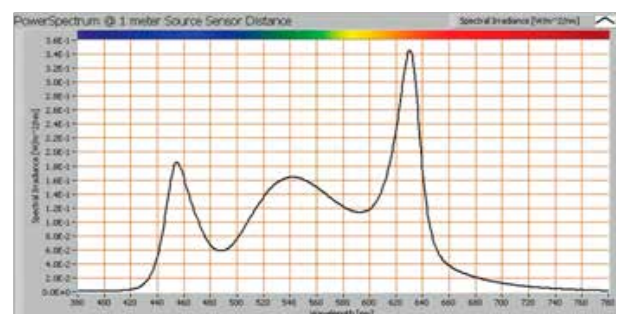
<b>Luminaire Efficacy</b>
60 (Lumen per Watt)
<b>Half-peak diam 90-270</b>
0.96 x diameter (m)
<b>Half-peak diam 0-180</b>
0.96 x diameter (m)
<b>Illuminance</b>
10433 / distance <sup>2</sup> (Lux)
<b>Total Output</b>
8433 (lumen)

E (lux) values are not accurate, when within 5 x 590 mm (maximal luminous size, eventually diagonally measured)= 2950mm. Within this distance from the lamp (data given in red), the measured lux values will be less than the computed values in this overview as the measurements are then within the near field of the lamp.

## Polar Curve (120W)



## Spectral Power Distribution (120W)



\*Equivalent Visual Efficiency (EVE) is based on IES TM 24-13 recommendation which is calculated as follows:  
 $EVE = \text{Photopic lumen} \times (\text{S/P Ratio})^{0.8}$

## Logistics Data

### HB1 60W

Type	Single Unit - Driver Head	Single Box - Reflector	Pallet (Driver & Reflector)
Quantity	2	4	32
Dimensions (mm)	330 x 340 x 360	440 x 440 x 310	1100 x 1100 x 1540
Gross Weight (Kg)	8.5	7.45	215

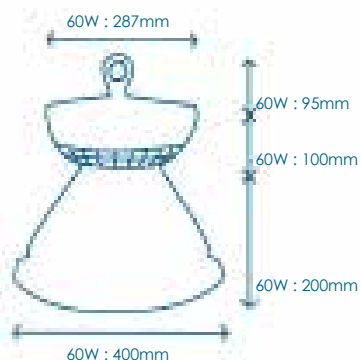
Type	20 ft Container - Palletized	40ft Container - Palletized	20 ft Container -Non Palletized	40ft Container -Non Palletized
Quantity	320	640	700	1,400
Dimensions (mm)	5898 x 2352 x 2393	12032 x 2352 x 2340	5898 x 2352 x 2393	12032 x 2353 x 2340
Gross Weight (Kg)	2,150	4,300	4,280	8,560

### HB1 120W

Type	Single Unit - Driver Head	Single Box - Reflector	Pallet (Driver & Reflector)
Quantity	2	4	16
Dimensions (mm)	370 x 380 x 400	670 x 670 x 390	1200 x 800 x 1800
Gross Weight (Kg)	10.8	19.2	183

Type	20 ft Container - Palletized	40ft Container - Palletized	20 ft Container -Non Palletized	40ft Container -Non Palletized
Quantity	160	320	348	696
Dimensions (mm)	5898 x 2352 x 2393	12032 x 2352 x 2340	5898 x 2352 x 2393	12032 x 2353 x 2340
Gross Weight (Kg)	1,830	3,660	3,550	7,100

### 60W



### 120W

